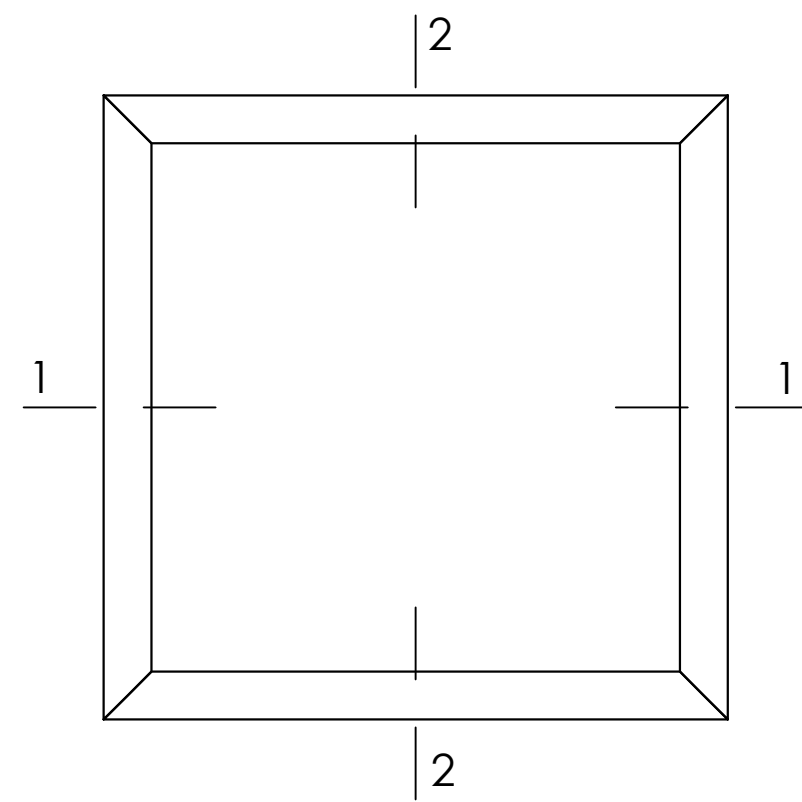


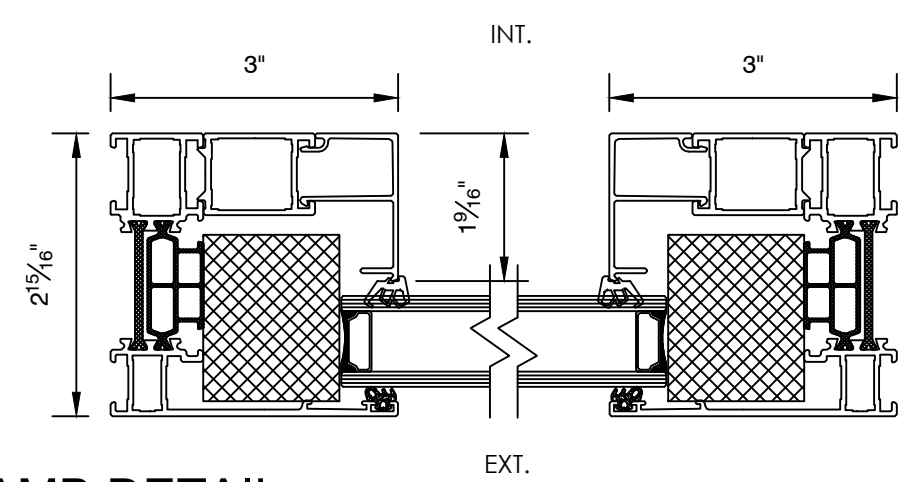
FIXED PICTURE WINDOW



(VIEW FROM EXTERIOR)

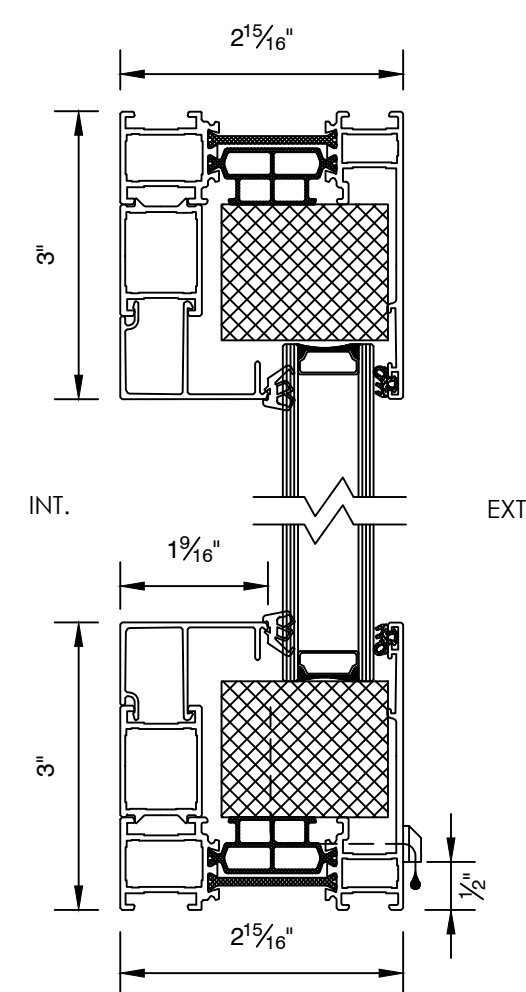
ELEVATION

SCALE: 1" = 1'-0"



JAMB DETAIL

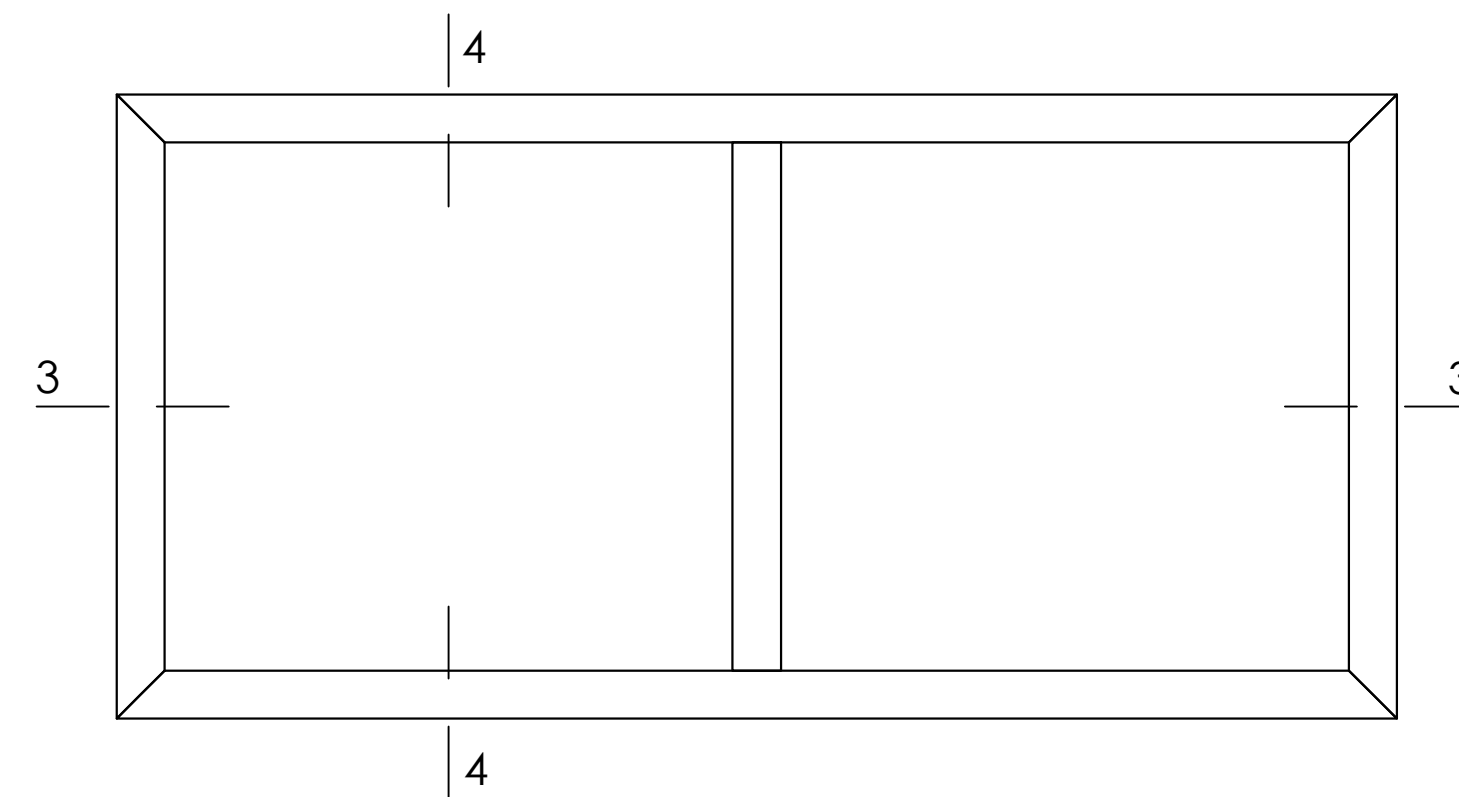
SCALE: 6" = 1'-0"



HEAD/SILL DETAIL

SCALE: 6" = 1'-0"

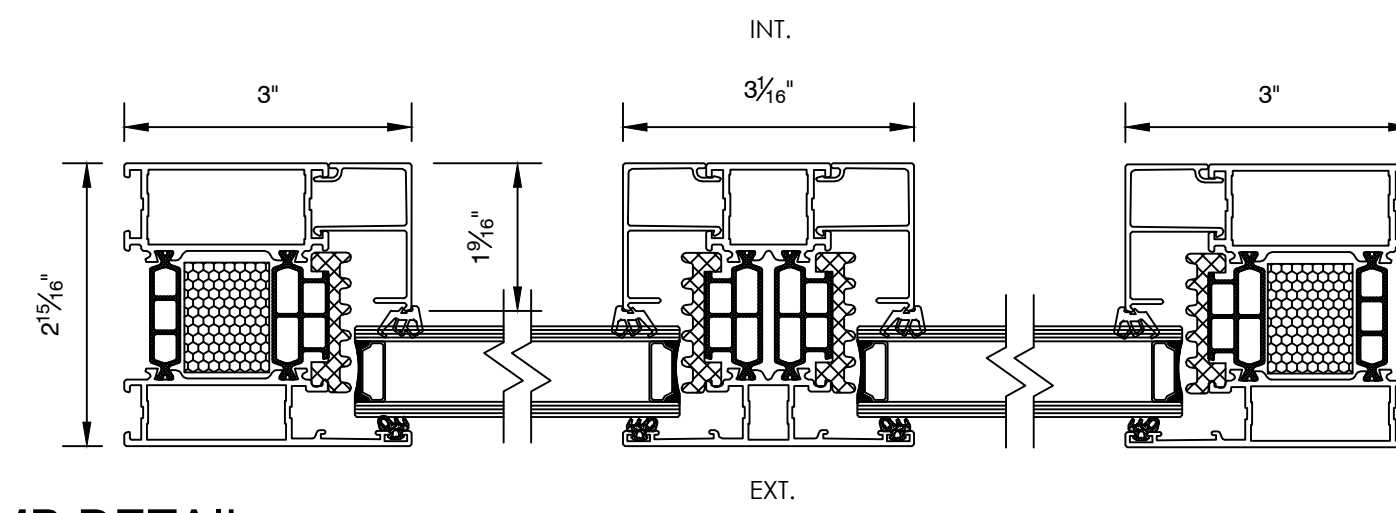
FIXED PICTURE WINDOW



(VIEW FROM EXTERIOR)

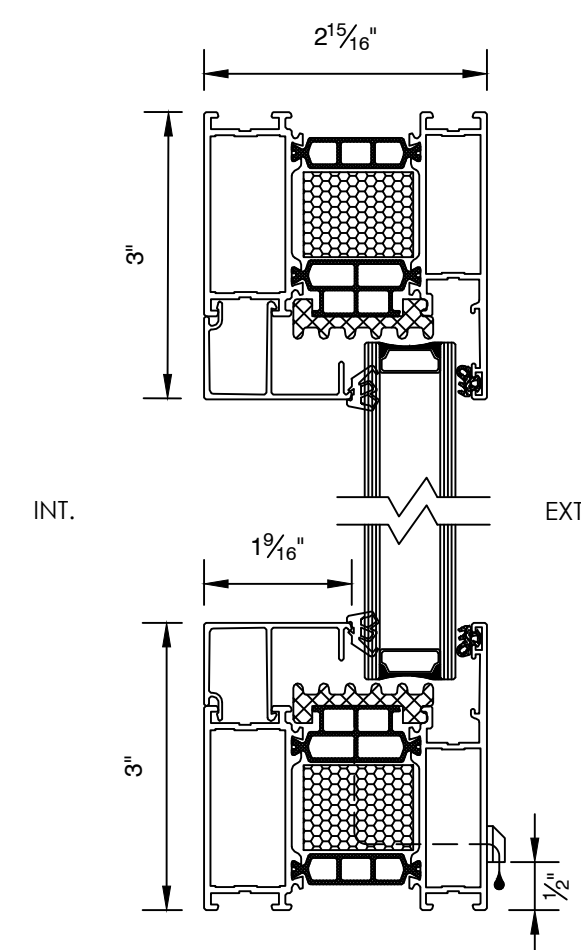
ELEVATION

SCALE: 1" = 1'-0"



JAMB DETAIL

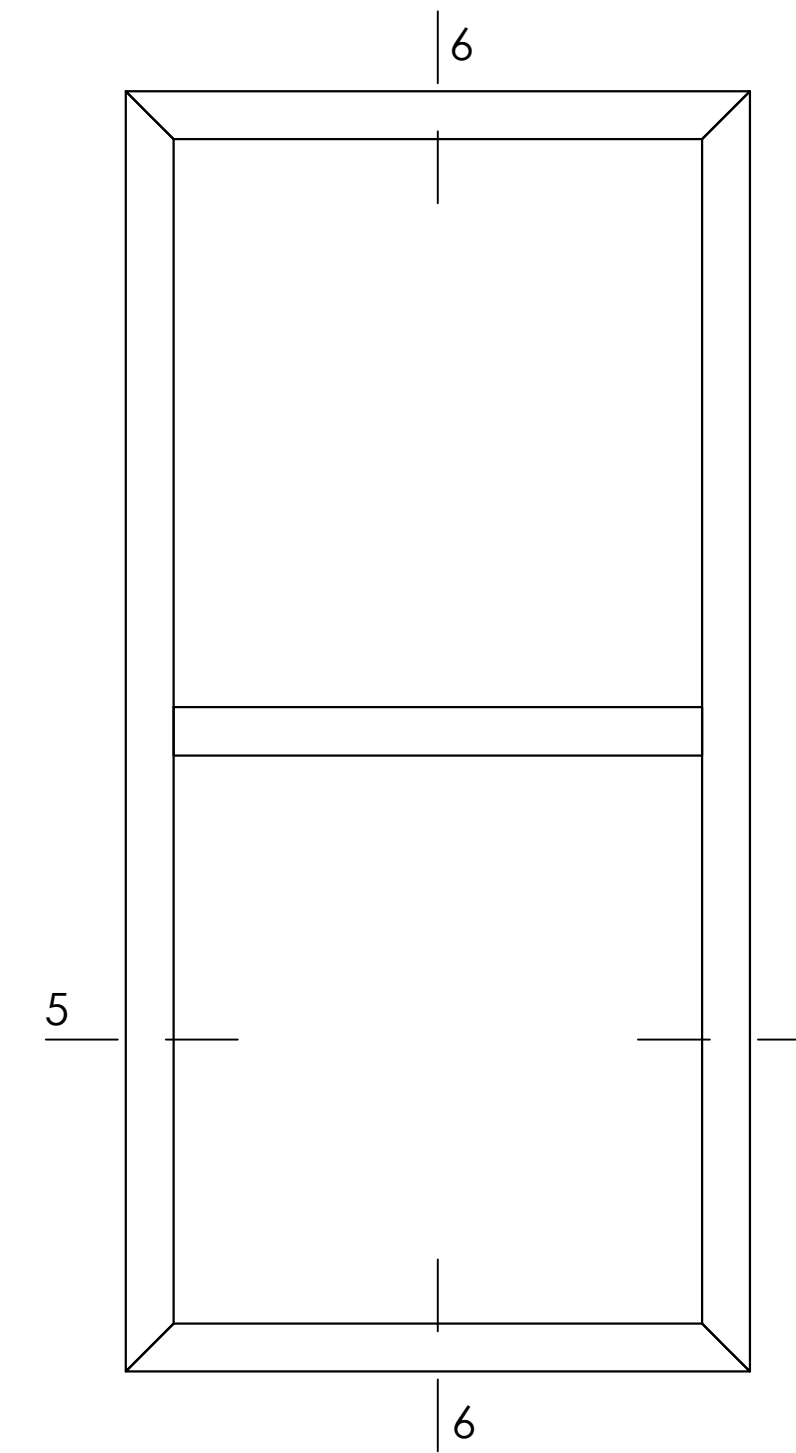
SCALE: 6" = 1'-0"



HEAD/SILL DETAIL

SCALE: 6" = 1'-0"

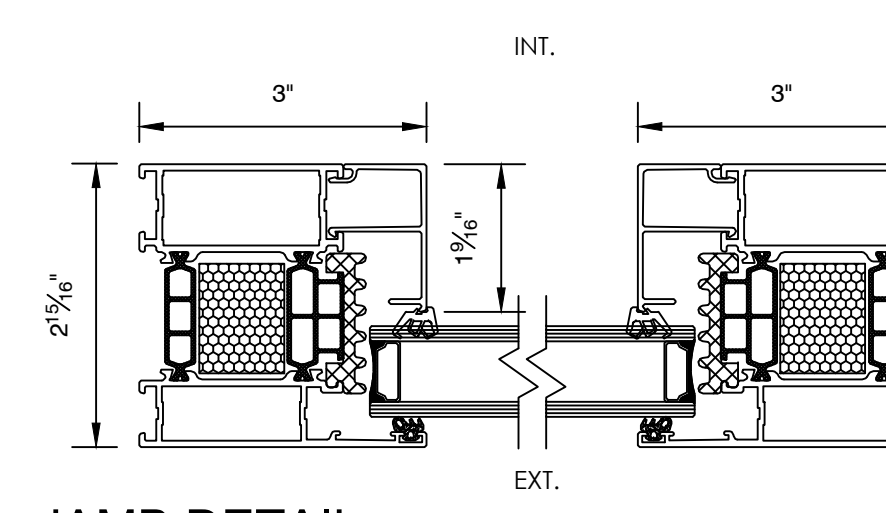
FIXED PICTURE WINDOW



(VIEW FROM EXTERIOR)

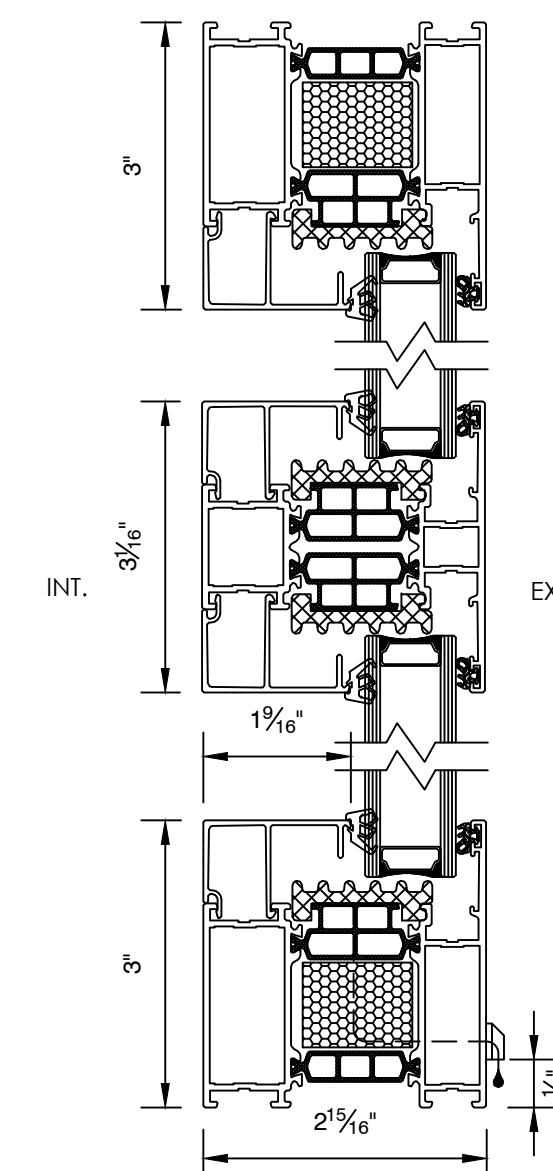
ELEVATION

SCALE: 1" = 1'-0"



JAMB DETAIL

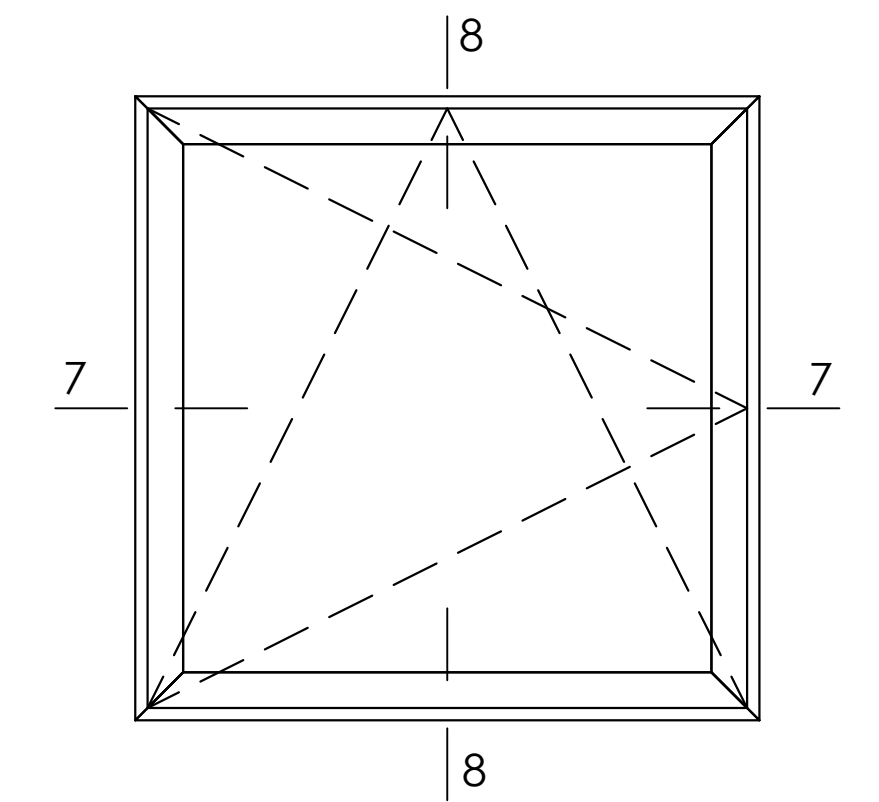
SCALE: 6" = 1'-0"



HEAD/SILL DETAIL

SCALE: 6" = 1'-0"

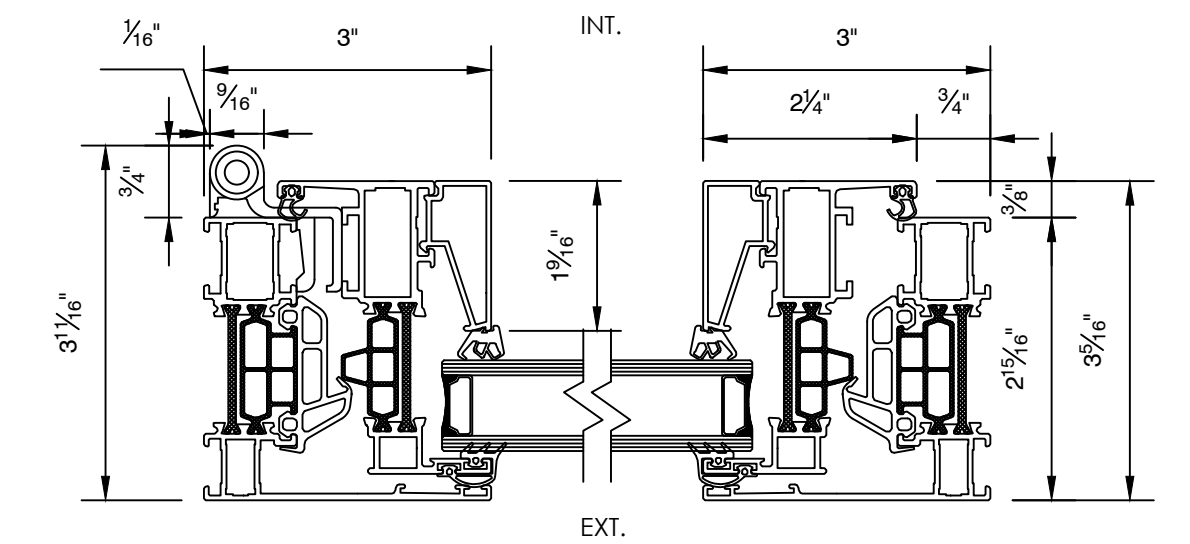
TILT & TURN WINDOW



(VIEW FROM EXTERIOR)

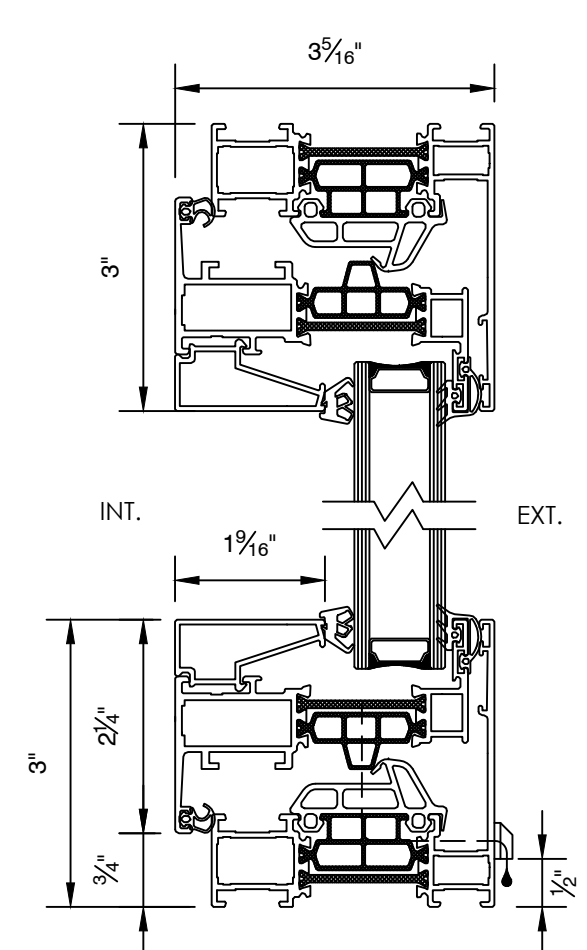
ELEVATION

SCALE: 1" = 1'-0"



JAMB DETAIL

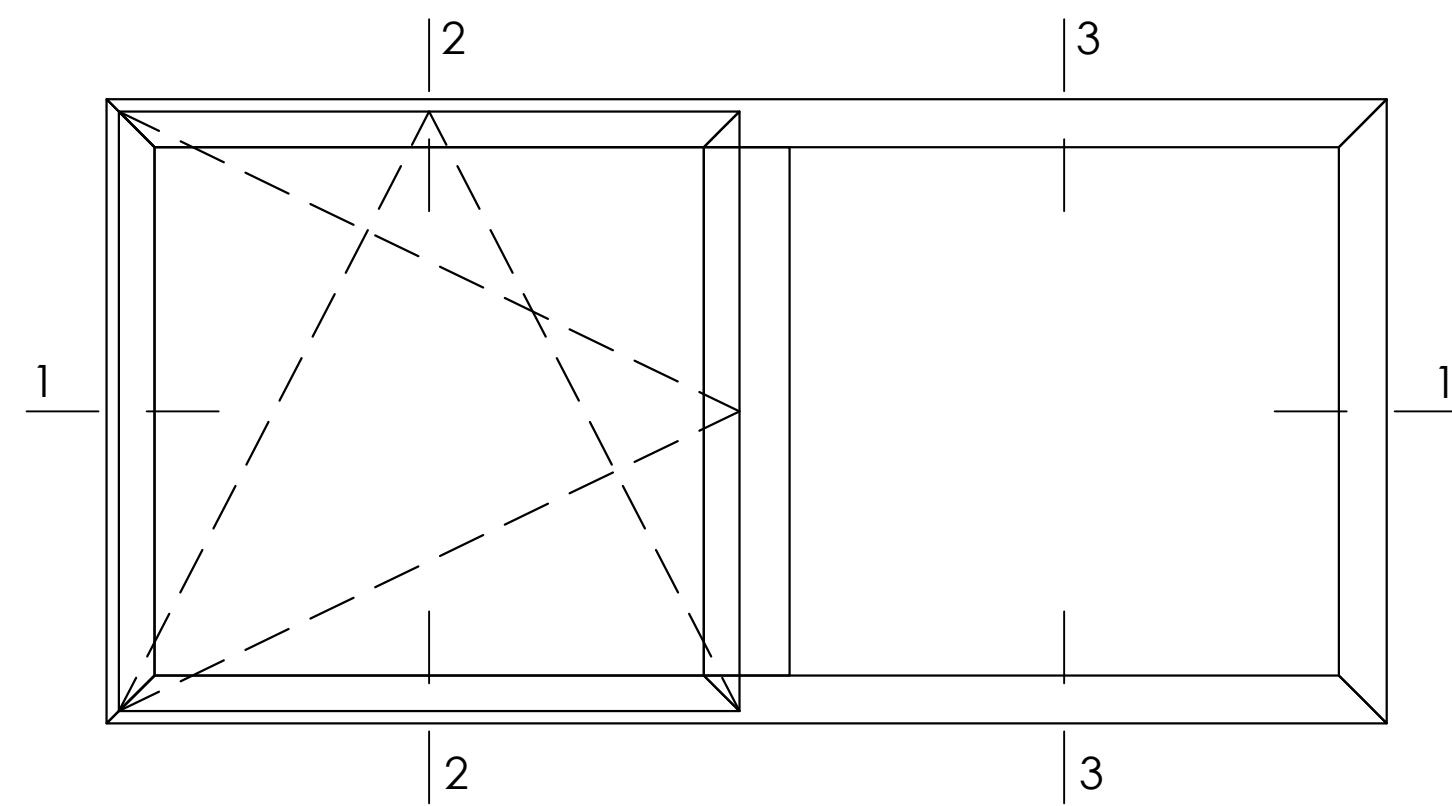
SCALE: 6" = 1'-0"



HEAD/SILL DETAIL

SCALE: 6" = 1'-0"

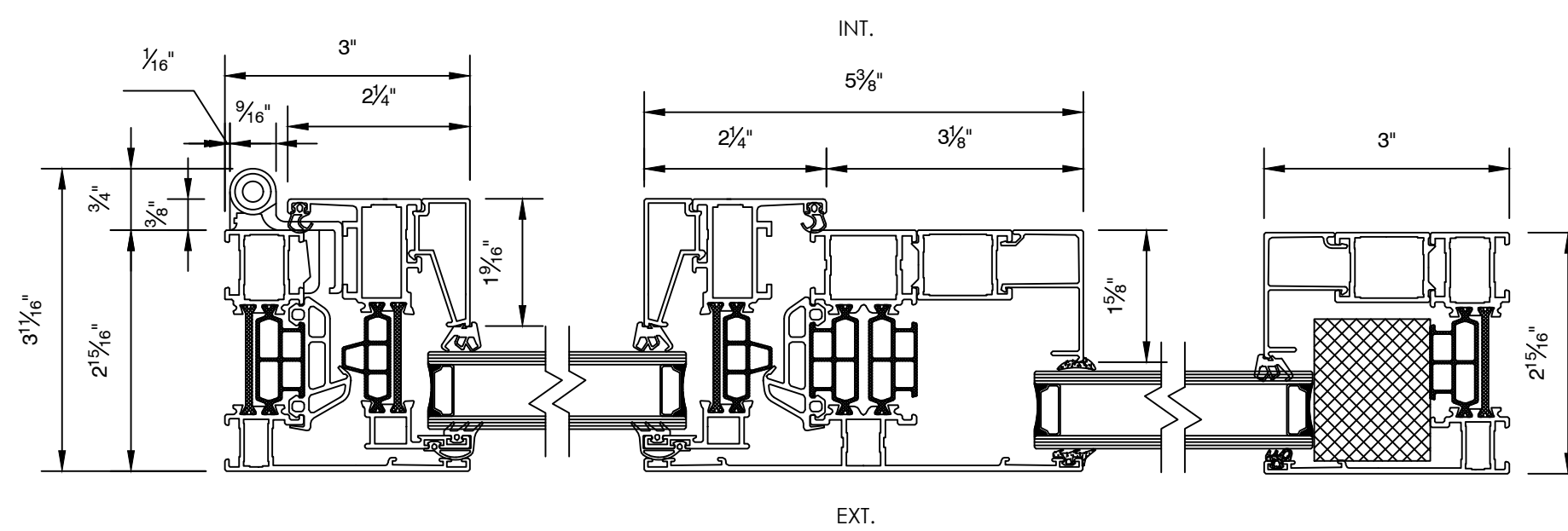
TILT & TURN + FIXED  
PICTURE WINDOW



(VIEW FROM EXTERIOR)

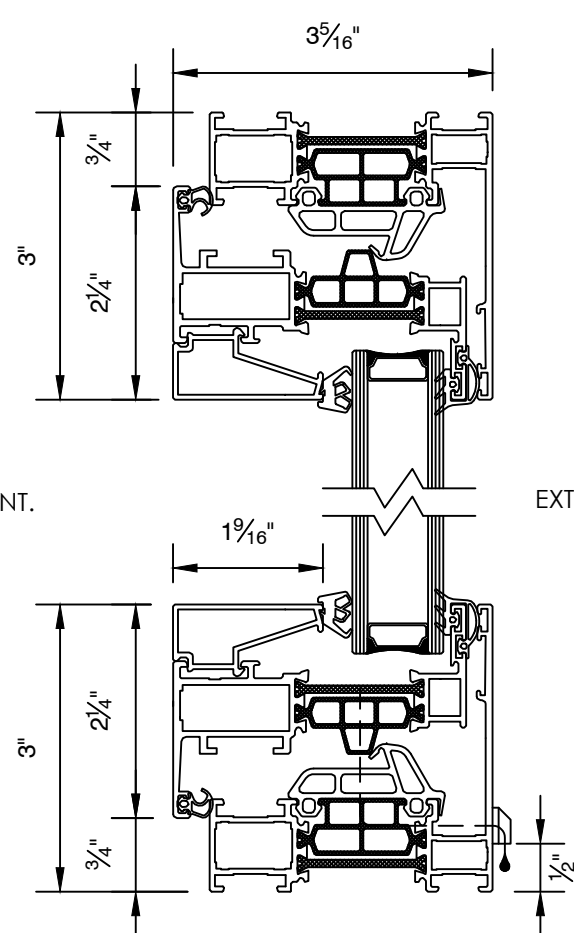
ELEVATION

SCALE: 1" = 1'-0"



JAMB DETAIL

SCALE: 6" = 1'-0"



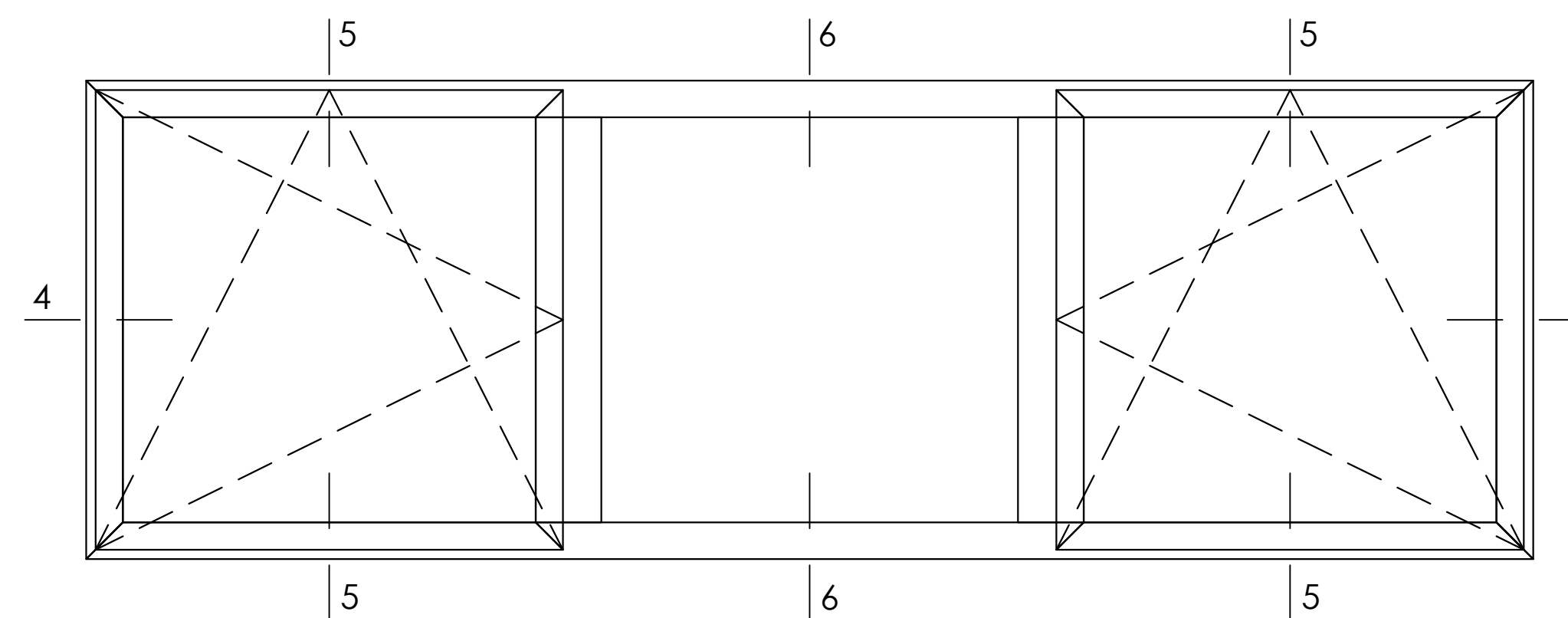
HEAD/SILL DETAIL

SCALE: 6" = 1'-0"

HEAD/SILL DETAIL

SCALE: 6" = 1'-0"

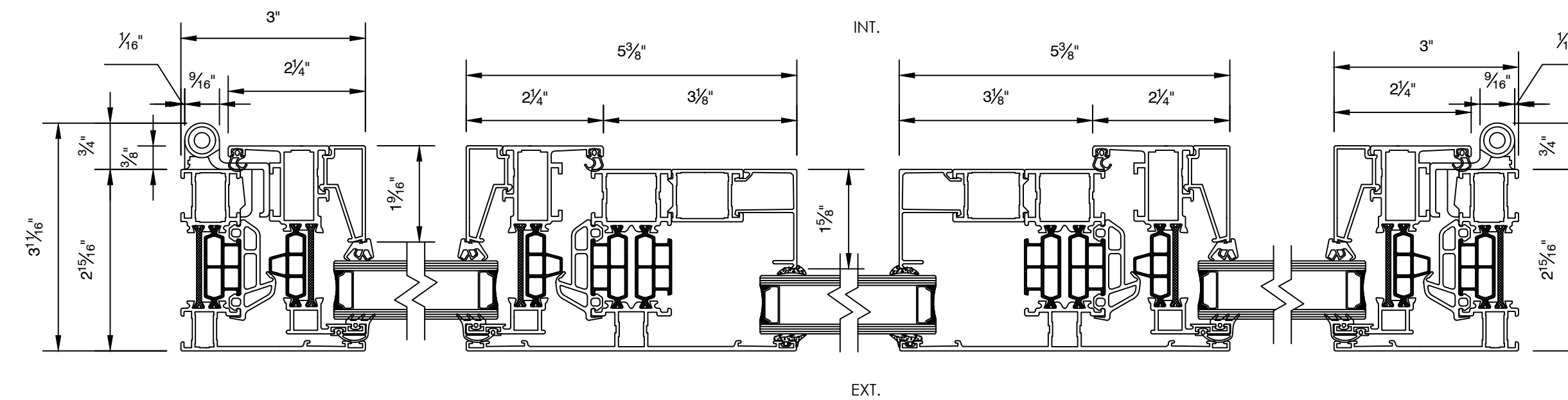
TILT & TURN + FIXED PICTURE  
+ TILT & TURN WINDOW



(VIEW FROM EXTERIOR)

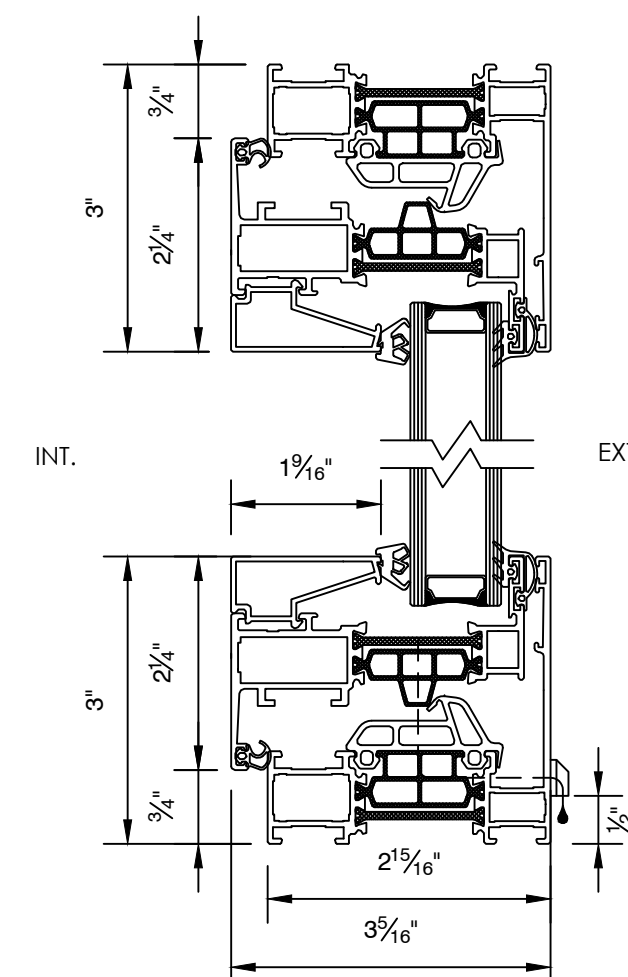
ELEVATION

SCALE: 1" = 1'-0"



JAMB DETAIL

SCALE: 6" = 1'-0"



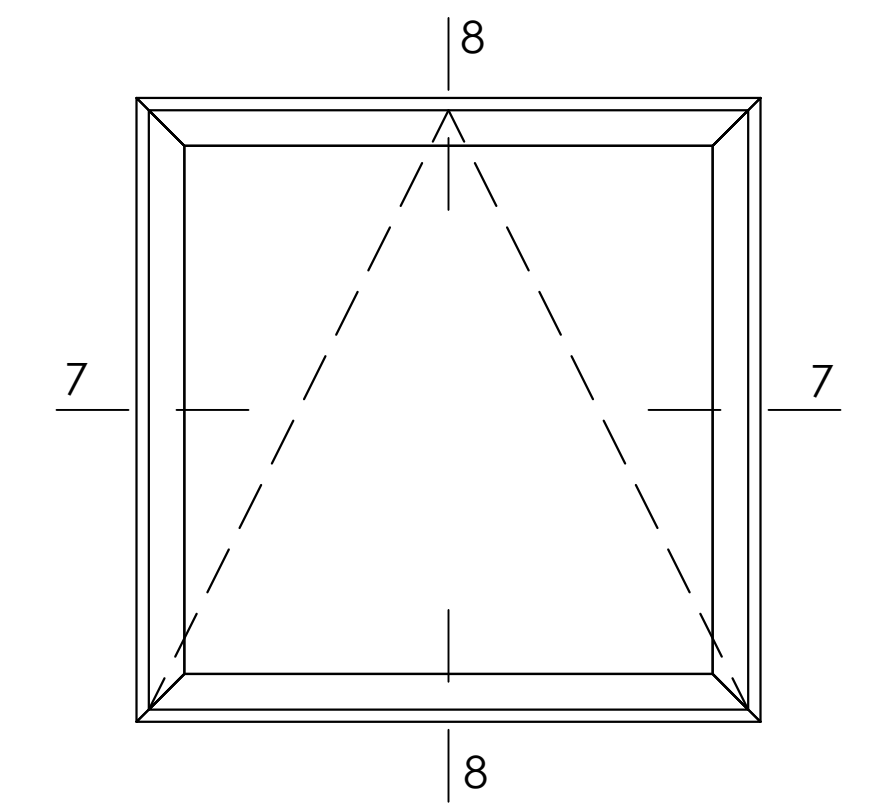
HEAD/SILL DETAIL

SCALE: 6" = 1'-0"

HEAD/SILL DETAIL

SCALE: 6" = 1'-0"

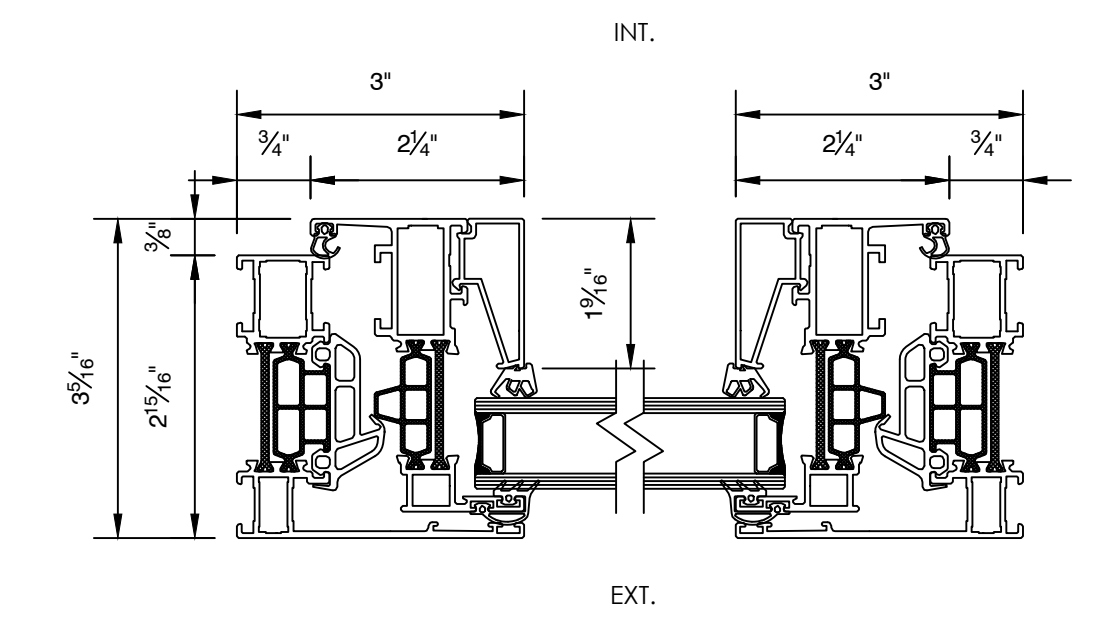
TILT-ONLY WINDOW



(VIEW FROM EXTERIOR)

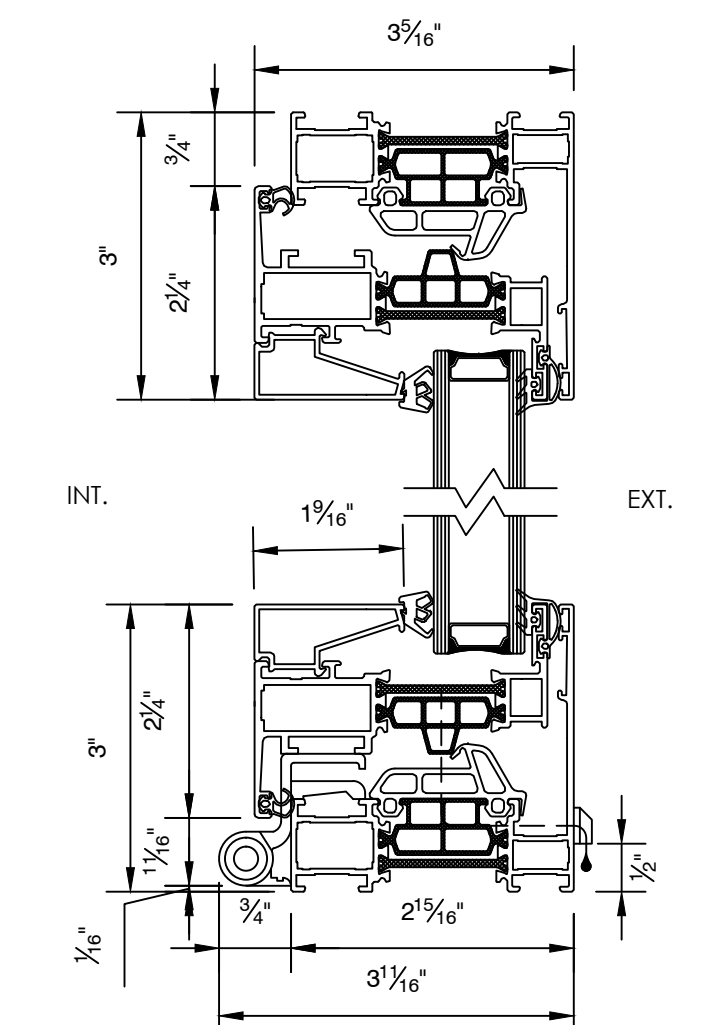
ELEVATION

SCALE: 1" = 1'-0"



JAMB DETAIL

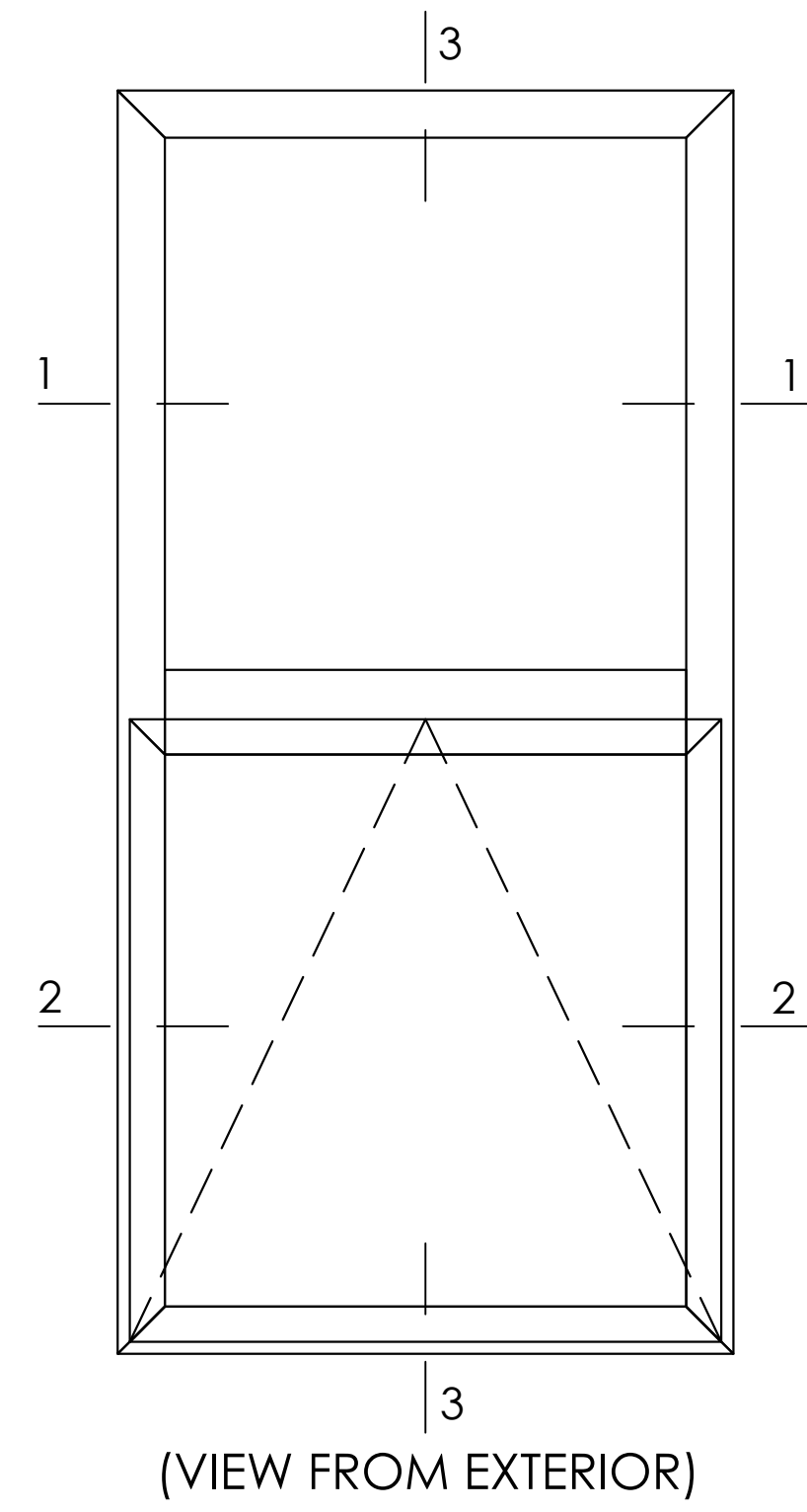
SCALE: 6" = 1'-0"



HEAD/SILL DETAIL

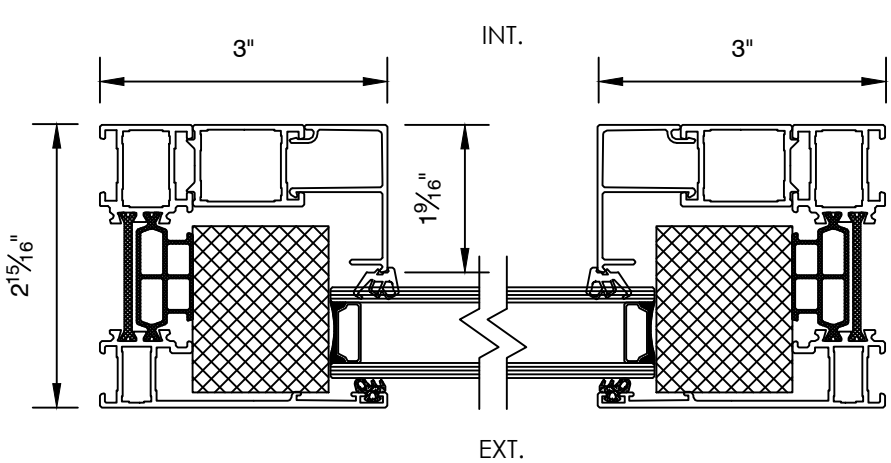
SCALE: 6" = 1'-0"

FIXED + TILT-ONLY WINDOW



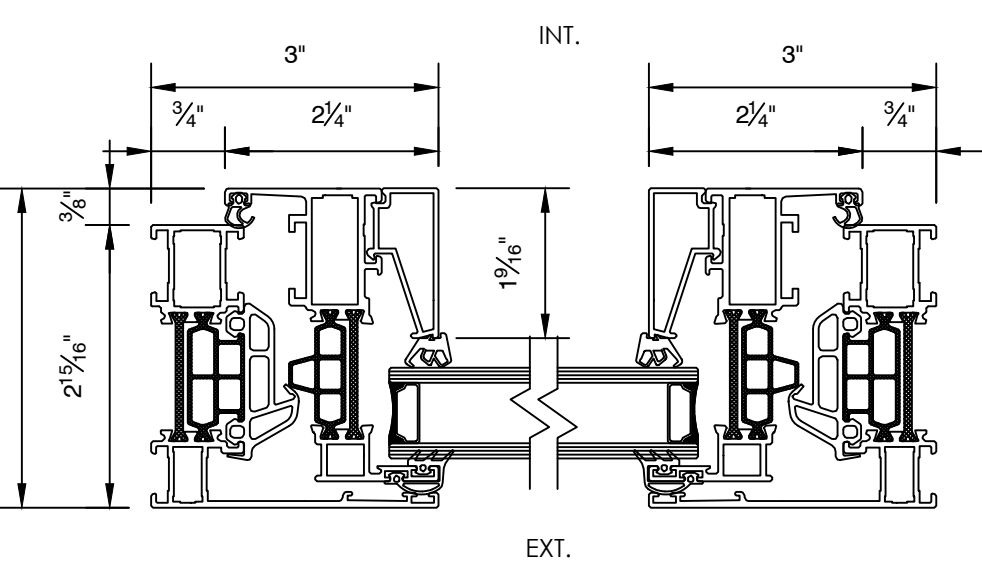
ELEVATION

SCALE: 1" = 1'-0"



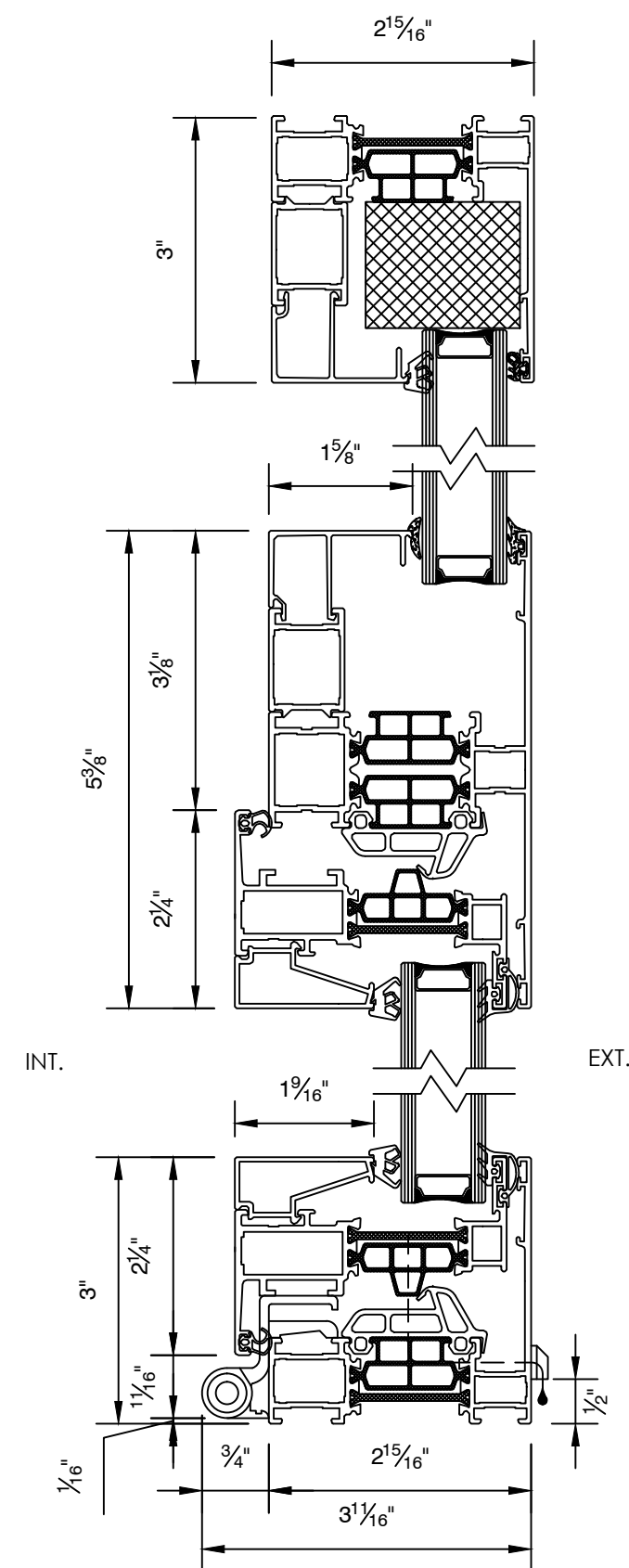
1 JAMB DETAIL

SCALE: 6" = 1'-0"



2 JAMB DETAIL

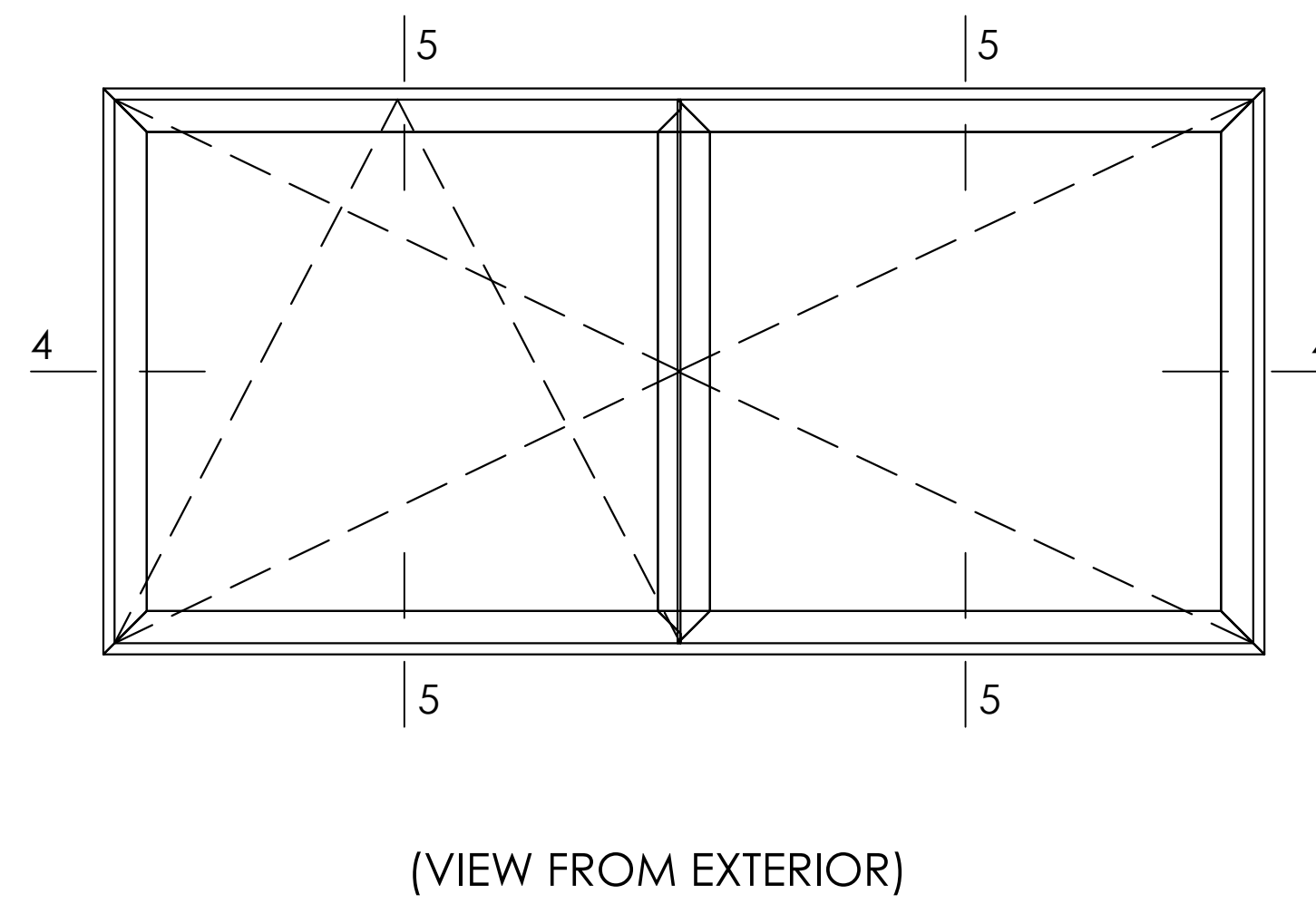
SCALE: 6" = 1'-0"



3 HEAD/SILL DETAIL

SCALE: 6" = 1'-0"

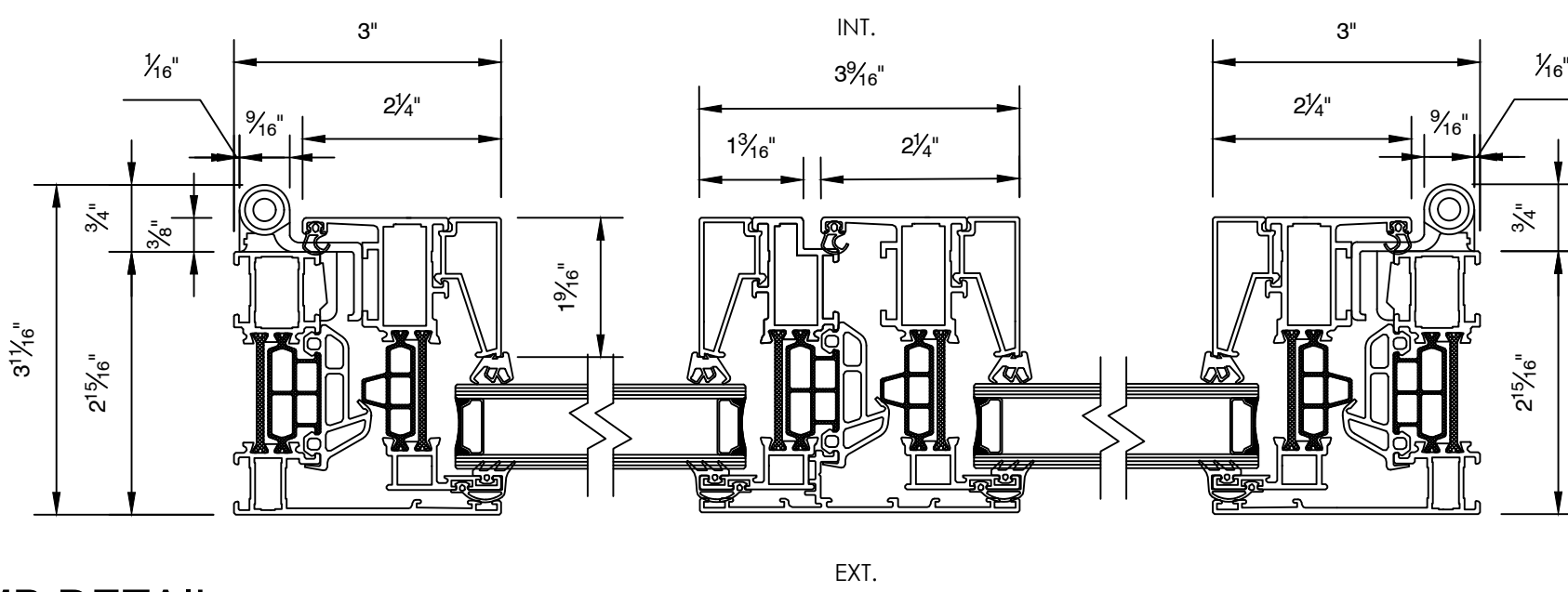
SINGLE TILT & TURN + DOUBLE FRENCH WINDOW



(VIEW FROM EXTERIOR)

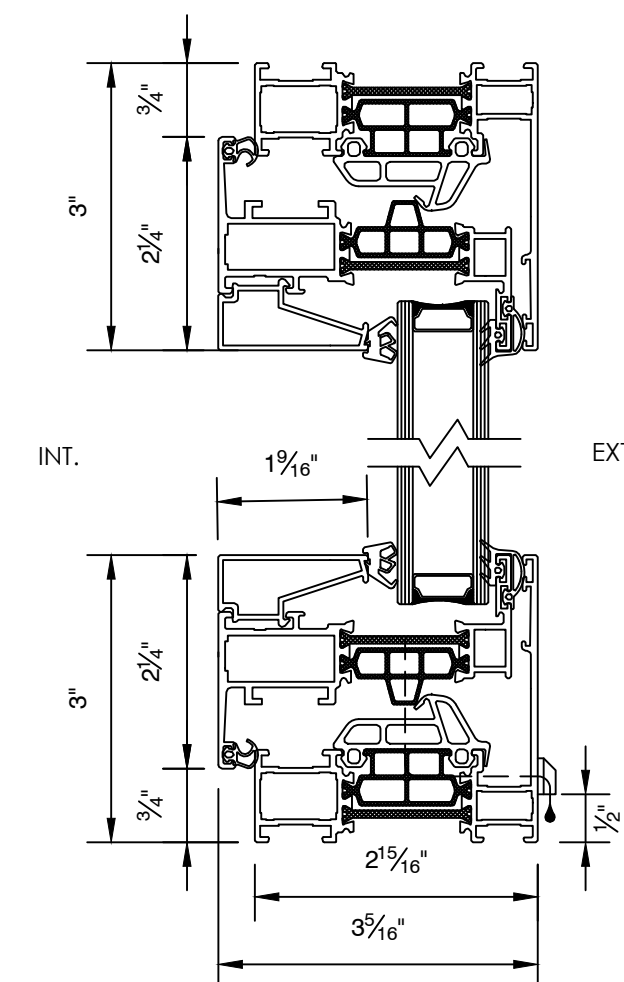
ELEVATION

SCALE: 1" = 1'-0"



4 JAMB DETAIL

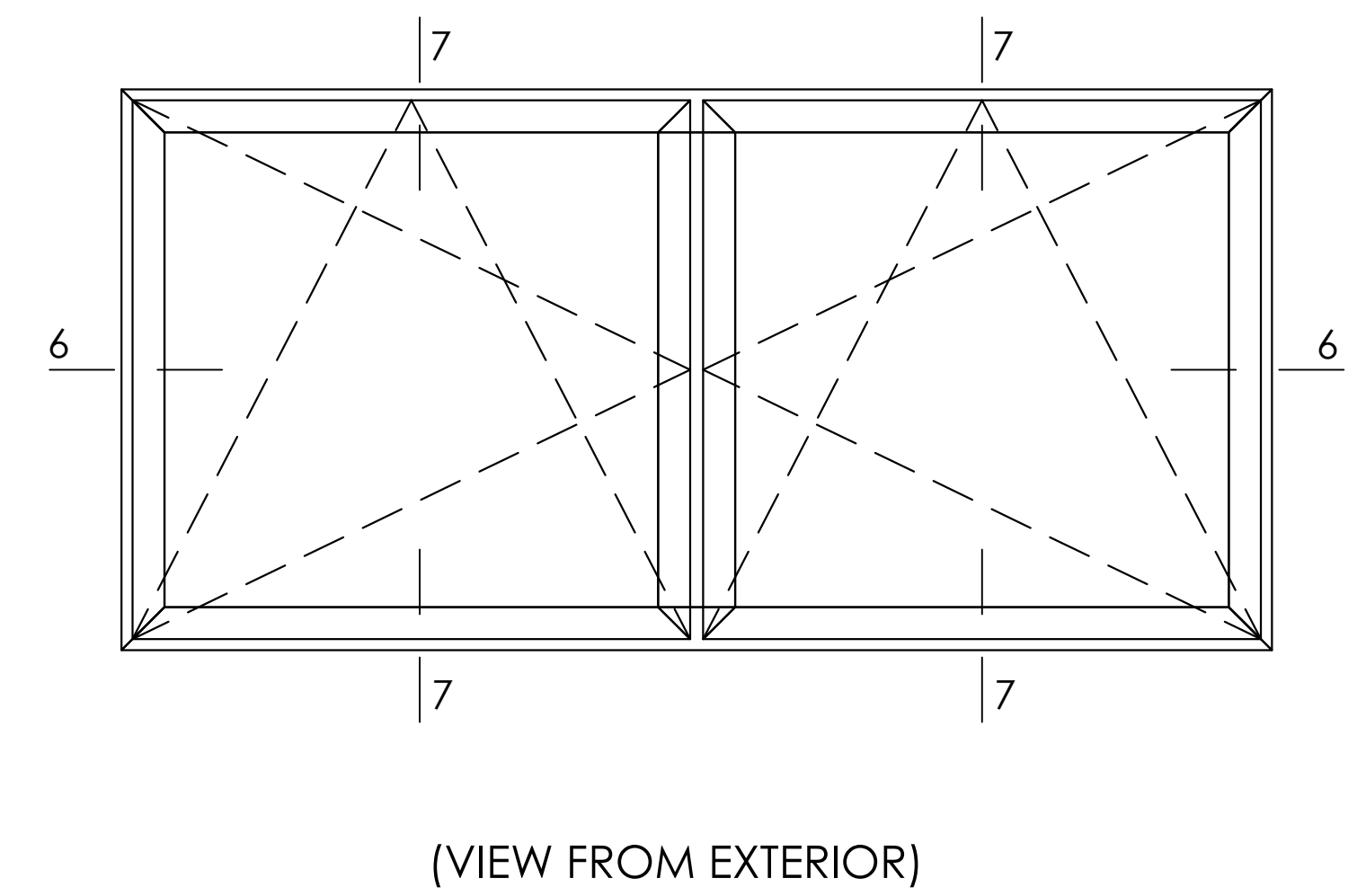
SCALE: 6" = 1'-0"



5 HEAD/SILL DETAIL

SCALE: 6" = 1'-0"

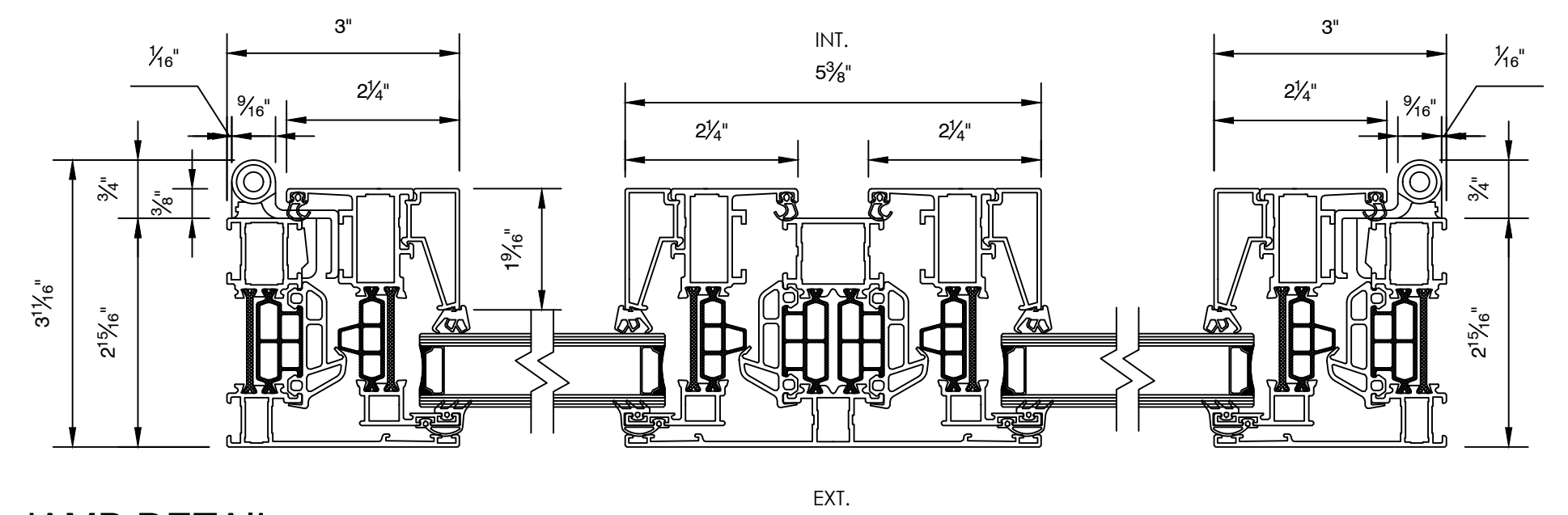
DOUBLE TILT & TURN + DOUBLE FRENCH WINDOW



(VIEW FROM EXTERIOR)

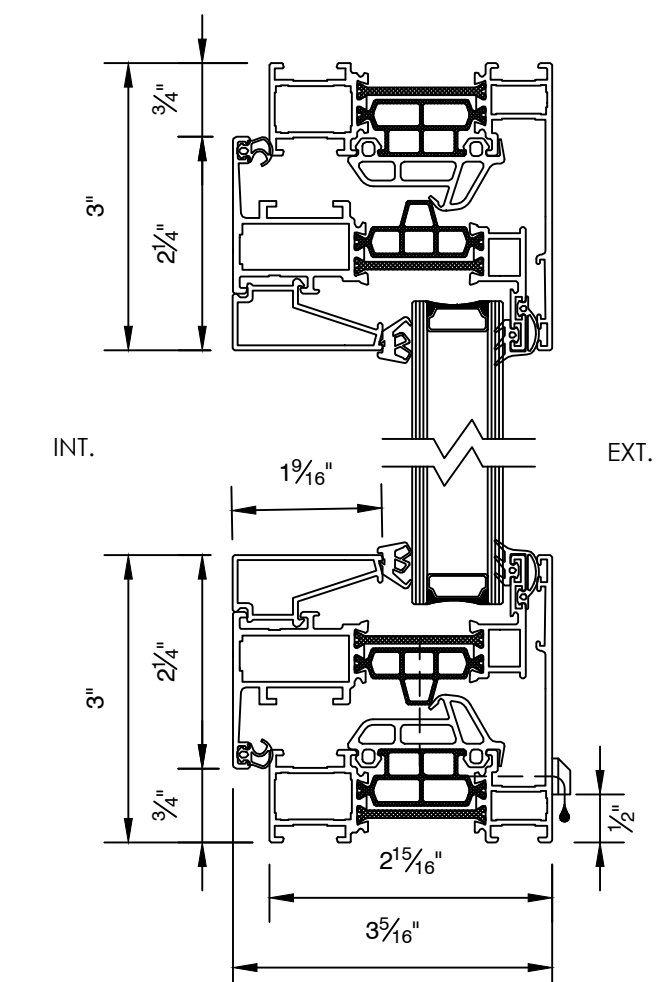
ELEVATION

SCALE: 1" = 1'-0"



6 JAMB DETAIL

SCALE: 6" = 1'-0"



7 HEAD/SILL DETAIL

SCALE: 6" = 1'-0"